

MOBILE WORKPLACE AND PORTABLE POWER SYSTEMS



THE POWER TO MOVE YOUR WORKPLACE



Converting a stationary workplace to a mobile one is the easiest, most economical way to increase productivity of your current workers and infrastructure. Our Mobile Workplace and Portable Power Systems let you take your workstations wherever they are needed.

Benefits include:

Increasing Productivity

Our Mobile Workplace System means you can process the same transactions with fewer pieces of equipment (i.e. printers, computers, etc.) by converting to mobile workstations.

Instant Gratification

Quickly obtain measurable productivity gains without months of planning and implementation. Workstations are delivered and can be on the floor the same day.

Improving Processes

The Portable Power System allows you to fully leverage your wireless facility by cutting the power cords and letting your workstations move to where they are needed - with your people.

Enabling People

Operators and managers now have access to data and real-time information anywhere in the facility because they can take their workstation with them.

No Additional Purchases

Mobile Workstations easily integrate with your existing hardware and software systems, eliminating the need for additional investment or equipment purchases.

OUR CUSTOMERS

Newcastle Systems is proud to be associated with some of the biggest names in the warehousing and distribution, manufacturing and retail business sectors.

- Amazon.com
- Cabela's
- Cardinal Health
- Caterpillar
- HomeGoods
- Macys
- Navistar
- Raytheon
- Ross Stores
- Schlumberger
- Staples
- The Home Depot
- ThermoFisher
- Tyco Electronics

“Now that our receivers keep the NB Series Workstation with them at all times, tasks that used to take 3-4 hours only take 1-2 hours.”

Bill A., Midwest Dental

YOUR BUSINESS

With thousands of installations worldwide, our Mobile Workplace and Portable Power Systems have proven to increase productivity in a wide variety of workplaces. The most popular workplaces include:

Business Sector

Common Applications

Warehouses/Distribution Centers



Maximizing supply chain efficiencies are on-going goals of progressive organizations. Mobile workstations deployed in a wireless facility can help support ERP and WMS systems to achieve optimal productivity.

- Incoming inspection and labeling
- Inventory control/cycle counting
- Order fulfillment and picking
- Outbound labeling
- Cross-docking

Manufacturing Facilities



Mobile workstations support lean manufacturing principles that require greater operational flexibility. They excel in a manufacturing environment for tasks such as:

- Receiving finished goods before stocking in warehouse
- Labeling samples picked from assembly lines for quality control
- Making test equipment available at various stages throughout the manufacturing process
- Electronic work instruction and more

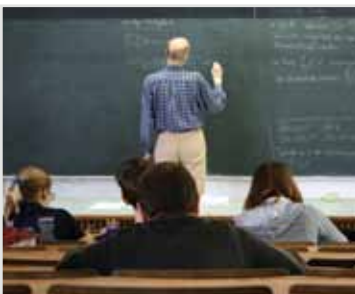
Retail Floors



Performing tasks at the point of activity saves time, improves accuracy and keeps sales personnel on the floor, ready to help your customers.

- Shelf labeling, tag and sign printing
- Inventory management
- Line busting
- Mobile POS “point of sale” station
- Portable power for garden centers, sidewalk sales, concerts and more

Other Workplaces



Mobile Powered Workstations are proven productivity solutions in other workplaces such as: ● health care ● education ● government agencies and many more

- Health care: Mobile patient charting
- Education: Portable power for AV equipment, mobile registration or orientation
- Government: Mobile station for explosive detection equipment (TSA)

MOBILE WORKPLACE SYSTEMS

Newcastle Systems is committed to providing innovative solutions that help make auto-ID technology and other hardware more mobile and information more readily available across an entire enterprise.



The full line of wireless workstations with integrated power supplies are designed to transport and power high-volume barcode printers, laptops, PCs, scales and other electronic equipment for 8 - 12+ hours at a time. At the end of a shift, simply plug the workstation into a wall outlet to recharge.

Create Your Own Mobile Station

An on-demand label printing / PC station provides a simple way to implement mobility in your facility.

A popular configuration consists of:

- 1 Your high-volume label printer
- 2 Your iPad, laptop or PC/LCD with WMS
- 3 A mobile powered workstation

Eliminate costly footsteps, improve accuracy and increase productivity immediately!



MOBILE WORKSTATION KEY BENEFITS

- Eliminate costly footsteps
- Print on-demand and reduce costly mislabeling errors
- Continuous full screen access to real-time information
- See your ROI in about 4-6 months

“We are receiving the same amount of product – but with less overtime. Receiving has gone through the roof since there is no down time.”

Troy Horn, Tyco International



		RC Series Entry-Level Unit	NB Series Mid-Range Unit	PC Series Heavy-Duty Unit
Ideal Workplace	Retail Floor	●	●	
	Warehouse/DC	●	●	●
	Manufacturing		●	●
	Typical Hardware Powered	Laptop or tablet, scanner, small printer for 8+ hrs.	Laptop or tablet, scanner, high-volume printer for 8-12+ hrs.	PC and monitor, scanner, high-volume printer (including laser printer) for 8-12+ hrs.
	Battery (Sealed Lead Acid)	40 or 100 AH	40, 100 or 200 AH	100, 200 or 300 AH
	Power Swap Compatible	No	Yes, enables 24 hour power (see page 6)	Available in 2014
	Footprint (L x W x H)	18.5 x 22 x 39"	26 x 24 x 42" NB Series 26 x 18 x 42" NB Series SLIM	26 x 35.5 x 43" (30" shelf) 26 x 53.5 x 43" (48" shelf)
	Weight	125 - 175 lbs.	165 - 265 lbs.	225 - 385 lbs.

www.newcastlesys.com/rcseries

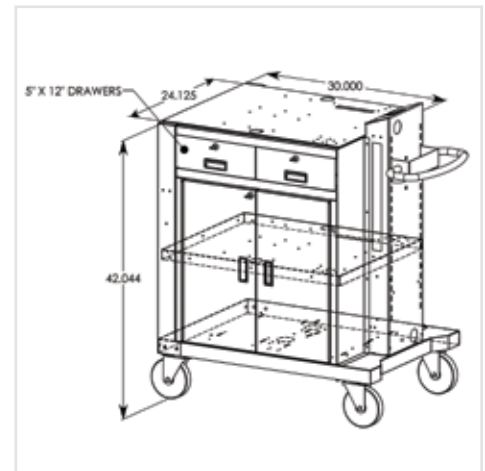
www.newcastlesys.com/nbseries

www.newcastlesys.com/pcseries

NB and PC Series come standard with (one) adjustable shelf, locking casters, push handle, integrated power system, built-in power strip and cord reel holder. RC Series come standard with top shelf, locking casters, push handle, 18" storage compartment, integrated power system, power strip and cord reel holder.

Customize

Let Newcastle Systems customize a mobile power solution for your specific application with our in-house engineering team.



Power Swap
System



www.newcastlesys.com/powerswap

NB SERIES POWER SWAP SYSTEM

Available with 100 or 200 AH Battery System

The Power Swap System enables the NB Series and NB Series SLIM Mobile Workstations to power your printers, computers, scales and other hardware 24 HOURS PER DAY. It's ideal for facilities with multiple work shifts.

Eliminate the need to purchase additional workstations and hardware. One NB Series Workstation can now do the work of 2 - 3 units (depending on your shift length) when it's integrated with the new Power Swap System.

- When the NB Series battery power is running low, simply swap out its power system with a fully charged one
- The swap takes about 30 seconds to complete, allowing the NB Series Mobile Workstation to be used during multiple shifts, ensuring minimal interruption and maximum productivity. **Watch it now at: www.newcastlesys.com/powerswap**
- PC Series Power Swap System available in 2014

Power Pack
Series



Optional wheel-base tote system for true portability

POWER PACK SERIES

The Power Pack Series Portable Power System provides quiet, seamless AC power for as long as 12+ hours at a time. This sturdy, compact unit is ideal for powering computers, printers, POS systems, scales, testers and any other electronic hardware. At the end of your shift or use, simply plug the unit into a standard wall outlet to recharge.

- Quiet, seamless AC power where and when you need it
- Eliminate the need for noisy generators or extension cords

Typical Power Pack applications include:

Non-powered equipment carts ● Areas where power is not available such as far corners of the warehouse, loading docks and remote storage areas ● Outdoor mobile concessions ● Remote display areas and much more



www.newcastlesys.com/powerpack

- Integrated 6 outlet power strip
- Easy access to slide batteries in and out of cabinet
- Integrated side handles and cord reel holder
- Digital meter with color-coded LED displays that provide the status of the battery and confirmation of the power source
- Visual and audible low voltage alert meter

“Your units are the most adaptable we have found. They work well in every environment we encounter.”

Doug M., Amerex Corporation

ACCESSORIES

Newcastle Systems' growing line of modular accessories enables you to customize mobile powered workstations to suit your specific needs. Workstation accessories provide benefits such as increased ergonomics, organization, convenience, security and flexibility.

A sampling of the currently available accessories is pictured below. You can find the complete line of modular accessories at www.newcastlesys.com/accessories.



Lockable 3" Drawer
for NB & PC Series



Binder Holder
for NB & PC Series



Bubble Wrap Holder
for PC Series



Desk Organizer
for NB & PC Series



Scanner Holder
for NB, PC & RC Series



Label Holder
for NB & PC Series



Keyboard Drawer
for PC Series



Adjustable & Lockable
iPad Holder
for NB, PC & RC Series



Slide-Out Printer Tray
for PC Series



Adjustable Keyboard
Tray with Mouse Tray
for NB & RC Series



Single & Dual Monitor Mount
& 30" Pole
for NB & PC Series



Folding Shelf
for PC Series

THE POWER TO MOVE YOUR WORKPLACE

RETURN ON INVESTMENT

It's easy to underestimate how much time is spent walking back and forth to fixed printers, computers, scales and other equipment, but it is a costly practice. By eliminating just 6 minutes of walking per hour, thousands of dollars can be saved over the course of a year.

Sample ROI Calculation

Number of minutes (per hour) spent walking to a static printer or computer desk	6 minutes
Average labor rate (w/benefits) per hour	\$22
Number of work hours per week	40
Number of mobile stations you want to implement throughout your facility	5
Average cost per Mobile Powered Workstation (Excluding optional accessories. Costs range from \$1,300 - \$2,900)	\$2,200
▼ YEARLY SAVINGS ▼	
\$\$ saved per year when walking is eliminated	\$22,880
Hours saved per year	1,040
Number of months to pay back initial workstation purchase	5.77

Calculate your own potential savings at: www.newcastlesys.com/ROI

THE POWER TO MOVE YOUR WORKPLACE



ABOUT NEWCASTLE SYSTEMS

Newcastle Systems is committed to providing innovative solutions that help make Auto-ID technology and other hardware truly mobile and information more readily available across an entire enterprise.

Loss of productivity and inefficiencies such as wasted steps to the printer on a fixed desk, inaccurate inventory counts, improper labeling, time delays, manual processing and incorrect shipments are just some of the challenges that are alleviated with a mobile powered workstation.